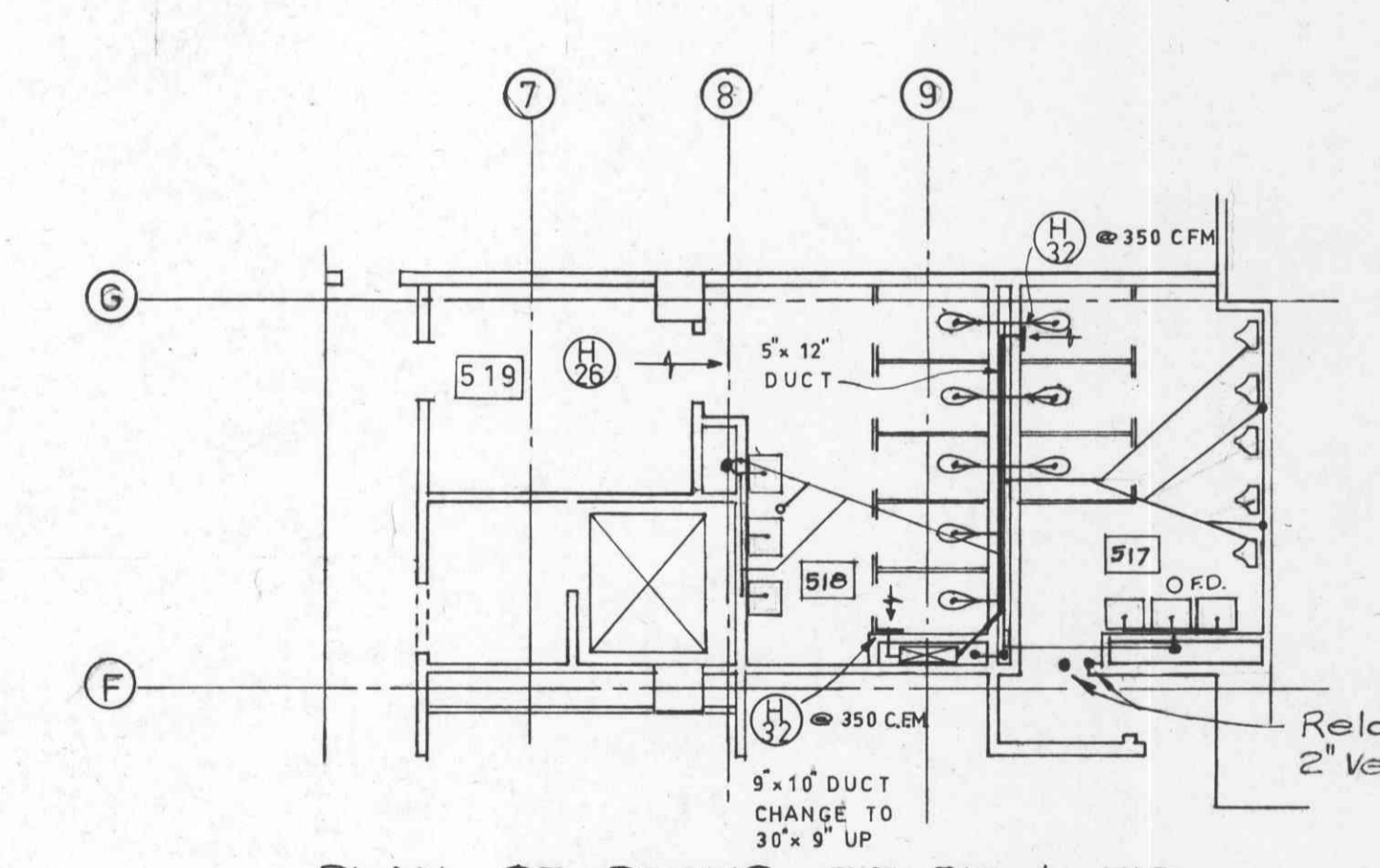


PLUMBING SCHEMATIC FOR RM. 518, 517 & 519.



PLAN OF ROOMS 517, 518 & 519.  
Scale 1/8" = 1'-0"

Relocate exist. 4" soil/water supplies & 2" vent to pipe shaft.



JOHN M. BEAN P. ENG. CONSULTING MECHANICAL ENGINEER 779 WEST BROADWAY VANCOUVER B.C.		
NO.	REVISION	DATE

SCALE 1/16" = 1'-0" STACK FLOOR ELEV. 395.0'	
ALTERATIONS TO THE LIBRARY UNIVERSITY OF BRITISH COLUMBIA	JOB No. 6366
FLOOR PLAN - STACK LEVEL No 5	DATE MARCH 31, 1964
TOBY, RUSSELL & BUCKWELL ARCHITECTS VANCOUVER, B.C.	DRAWN JDS & DJ. CHECKED J.M.B. DRAWING No. M5 OF 11